

Mod. GZ1000 is a counterbalanced crane ideal for placements of loads up to 1000 kg over any barrier/obstruction (on 3D machines, machining centres, lathes, assembly lines, etc).

Its arm reaches a distance of 2000 mm with 275 kg of max capacity.

It comes with two-fixed wheel and two pivoting wheels with brake. Easy to handle and move, even at max load.

This is a manual lifting crane, with a double effect pump. Lowering is activated by built-in knob.

Arm is extensible in 4 positions.

## GZ1000

Counterbalanced  
crane for heavy  
loads

**MAX CAP.  
1000 KG**

**BUILT-IN BALLAST  
WEIGHTS**

**MAX ARM  
DISTANCE 2000  
mm AT 275 KG**

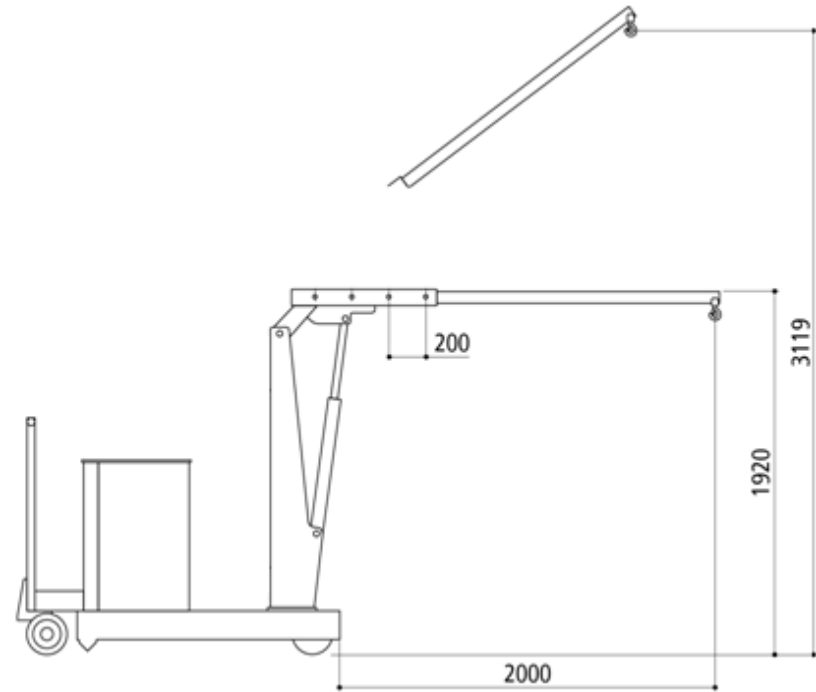
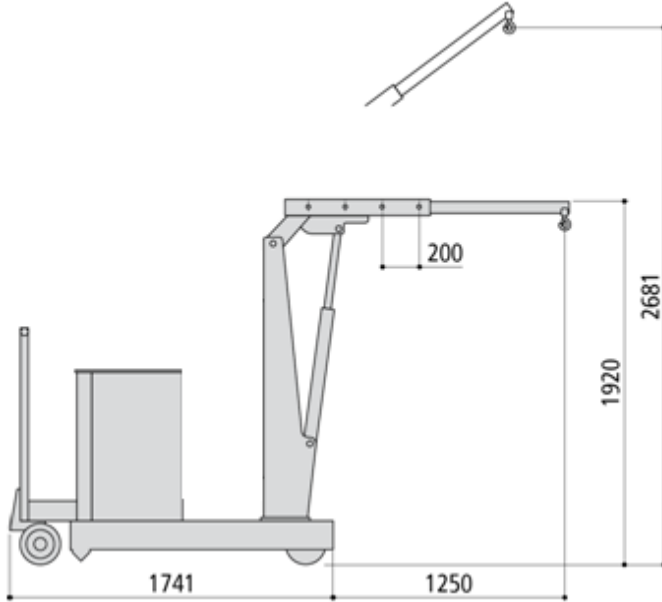


It is equipped with two safety valves to prevent falling of loads in the event of hose failure and machine overloading.



**GZ1000**

Optional extension jib to reach 2000 mm of distance



WEIGHT	MAX LIFTING TIME	MAX LOWERING TIME	MAX PRESSURE	CYLINDER		MAX CAPACITY	TANK CAPACITY
				STROKE	DIAMETER		
1200 KG	50 SEC	45 SEC	95 BAR	550 mm	70 mm	1000 KG	2L

	OUTREACH WITH STANDARD JIB	MAX CAPACITY WITH STANDARD JIB	OUTREACH WITH EXTENSION	MAX CAPACITY WITH EXTENSION
POS. 1	650 mm	1000 kg	1400 mm	450 kg
POS. 2	850 mm	835 kg	1600 mm	390 kg
POS.3	1050 mm	670 kg	1800 mm	325 kg
POS. 4	1250 mm	500 kg	2000 mm	275 kg

**MAX CAP  
1000 KG**